

GLASS DOOR HINGE "OBSESSION"

F/8-10 MM

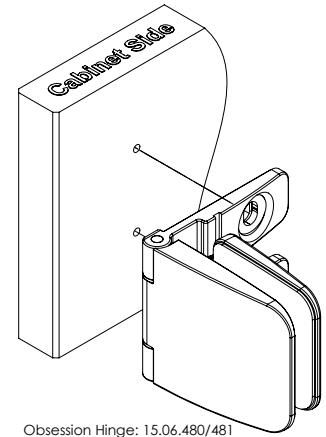
Application:
 Glass door hinge for inset doors.
 For wood/glass or glass/glass cabinets
 With adjustable catch function.
 Drilling required. 135 degrees opening
 Vertical height adjustment
 Material: Brass – chrome plated or black matt

Size: 65 x 55 x 55,5 mm
 Glass thickness: 8 – 10 mm
 Max door size: 650 x 2000 x 10 mm
 Drilling: Ø 14 mm
 Max load capacity: 16 kg per hinge

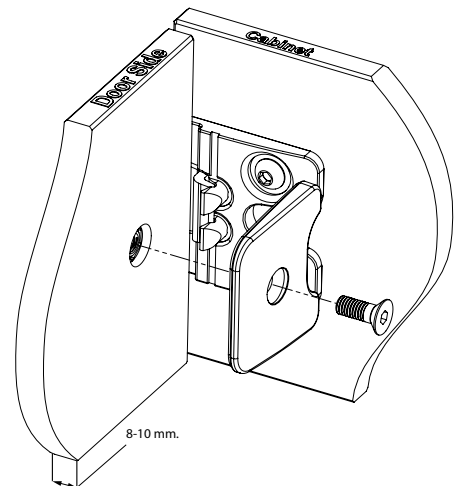
Item No.:
 Chrome plated # 15.06.480
 Black matt # 15.06.481



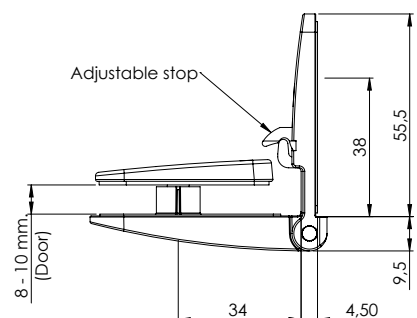
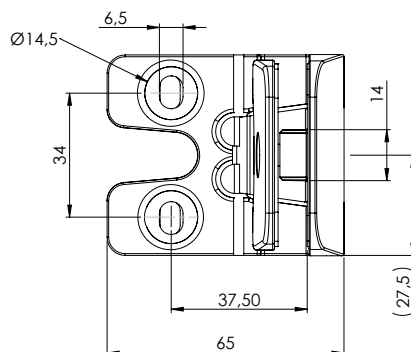
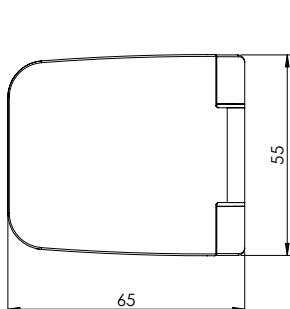
DESIGN REGISTERED



Obsession Hinge: 15.06.480/481



8-10 mm.

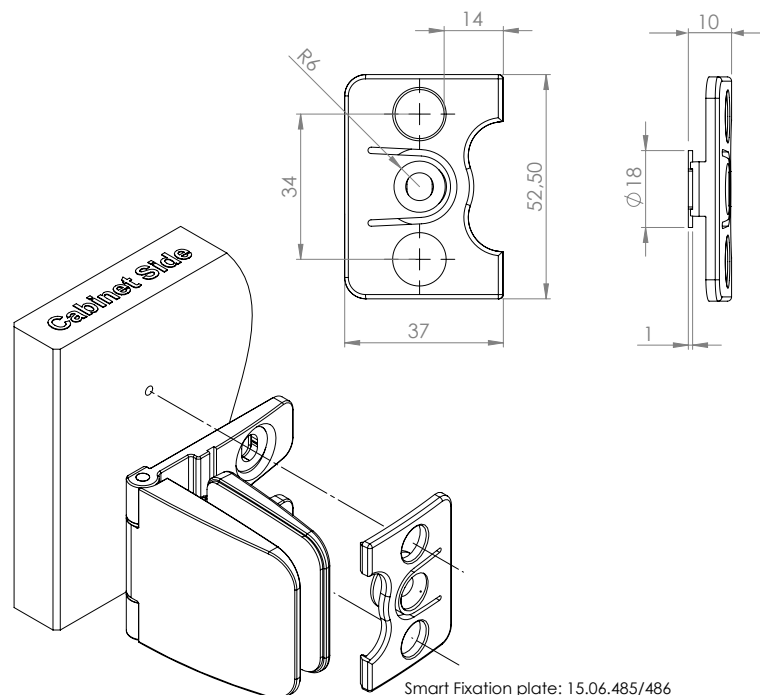
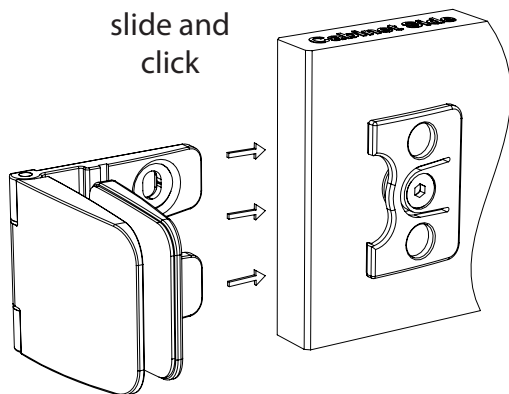


MOUNTING PLATE "SMART-FIX" F/"OBSESSION"

Application:
Mounting plate for easy click fixing of the hinge

Material: Brass – chrome plated or black matt
Size: 37 x 52,5 x 10 mm

Item No.:
Chrome plated # 15.06.485
Black matt # 15.06.486



FRONT COVER F/GLASS WALL FIXING F/"OBSESSION"

- high quality furniture fittings

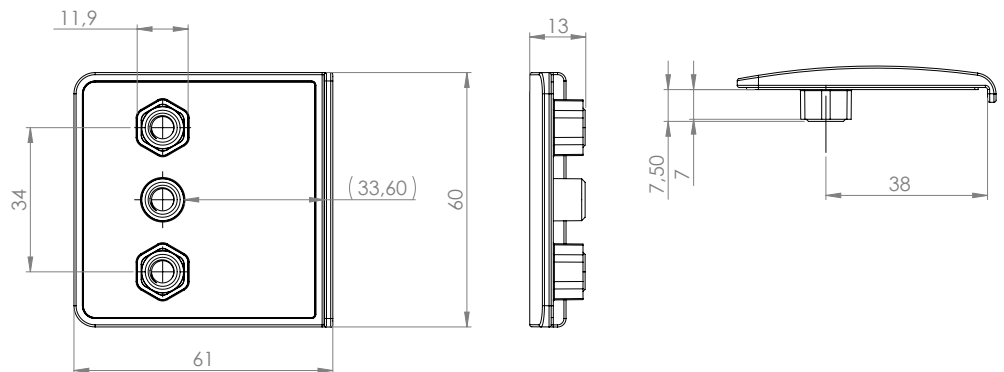
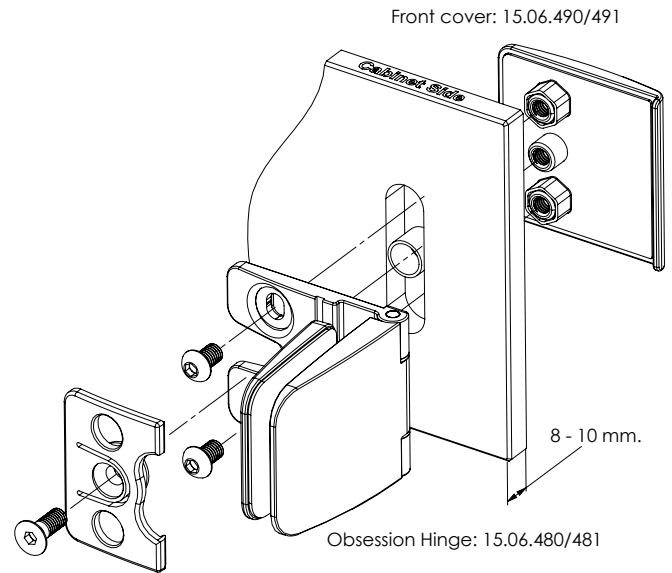


Application:
Front cover for glass/glass cabinets

Material: Brass – chrome plated or black matt
Size: 61 x 60 x 13 mm

Item No.:
Chrome plated # 15.06.490
Black matt # 15.06.491

Incl. 1 x CSK Screw M6x14mm,
2 x Pan Head Screws M6 x 10 mm,
1 x POM Tube \varnothing 12x8mm &
1 x POM Tube \varnothing 12 x 10mm



SISO A/S

Mileparken 11 Phone: (+45) 45 830 900
DK - 2740 Skovlunde (Copenhagen) E-mail: siso@siso.dk
Denmark Web: www.siso.dk