

Model "Bonn"

Application:

Can be used for left & right hand doors

Opening: 180 degree

Load Capacity: 45 kg pr. hinge

Glass thickness: 8 -10 mm

Max glass width: 1000 mm

Drilling: Ø 12mm

One hinge consists of:

1 aluminum mounting plate 28 x 124 mm w/3 CSK screws holes ø6,5 mm

1 aluminum hinge body 43 x 130 mm

1 aluminum back cover plate 42 x 85 mm

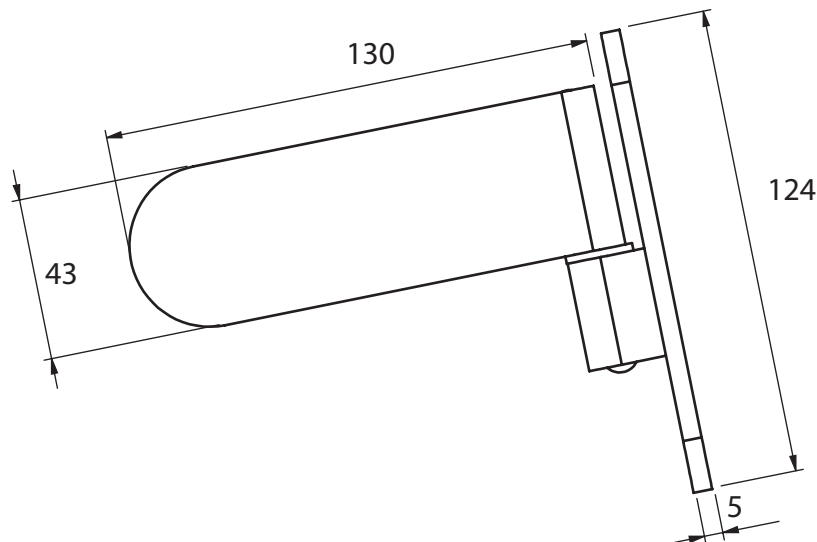
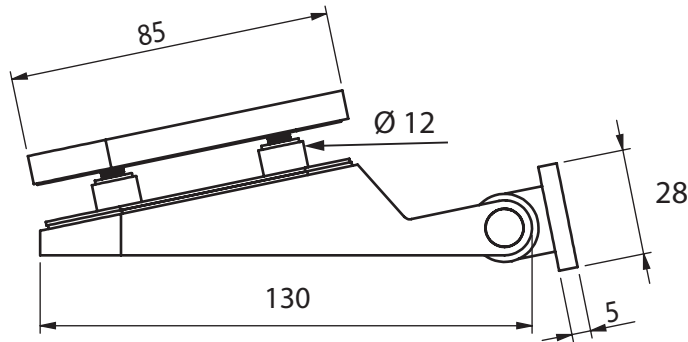
4 gaskets in 1 mm thickness

3 stainless steel wall mounting screws M6 x 30mm

3 steel expansion wall plugs Ø 8 x 24 mm.

Item No.:

15.25.035



SISO A/S

Mileparken 11
DK - 2740 Skovlunde (Copenhagen)
Denmark

Phone: (+45) 45 830 900
Fax: (+45) 45 830 444 - 45 830 440
E-mail: siso@siso.dk Web: www.siso.dk