

COIN LOCK WITH TUBULAR KEYS

Application:

For lockers at sport facilities & super markets.

Accessories for one set:

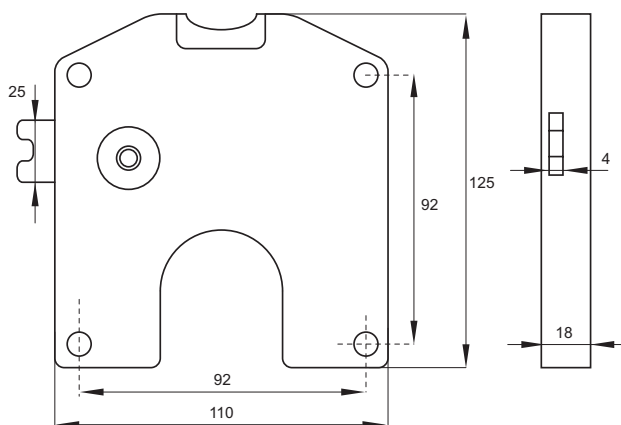
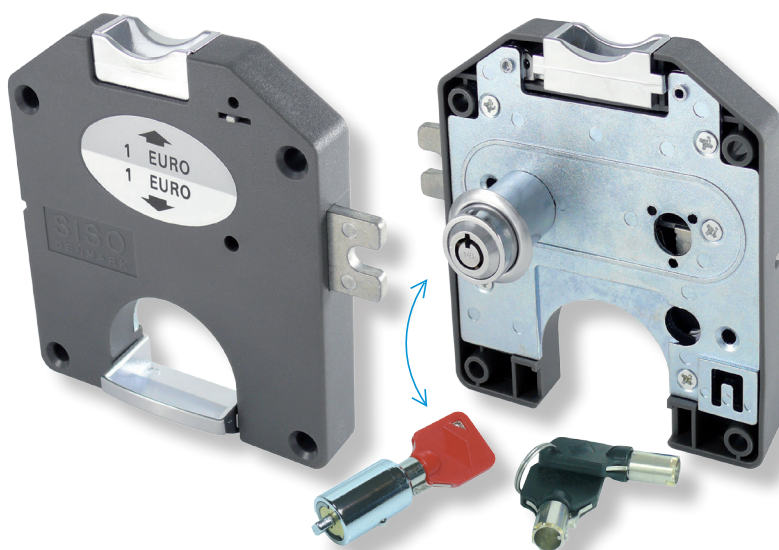
- 1 lock w/cylinder Ø22 x 31 mm
- 1 steel rosette
- 1 coin tray in chrome plated ABS
- 2 SISO steel tubular keys

Specifications:

Black & chrome plated ABS housing
Nickel plated zamak cylinder. Innercore made of brass.
2000 key combinations
W/master key & interchangeable system (MIC)
Left (L) or right hand (R) versions

Item No.:

100 JPY - Japan	# 14.60.215 (R)
5 HRK - Croatia	# 14.60.242 (R)
1 BGN - Bulgaria	# 14.60.246/245 (R/L)
2 PLN - Poland	# 14.60.247-9/-7 (R/L)
1 EURO - Euro zone	# 14.60.249/250 (R/L)
10 DKK - Denmark	# 14.60.270/271 (R/L)



Coin deposit lock and coin collector box built together



COIN COLLECTOR BOX

Application:

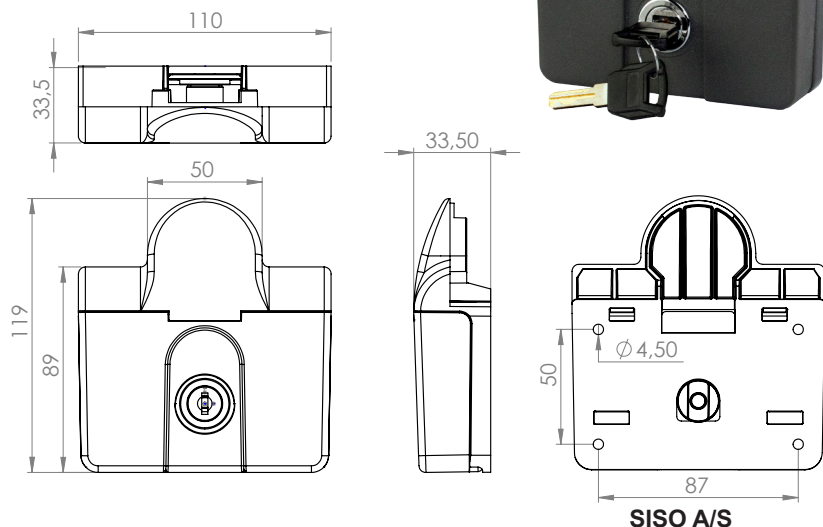
Suitable for SISO coin locks

Specifications:

Black PA housing
Zamak cam lock - nickel plated
W/2 SISO steel snake keys
W/master key & interchangeable system #5 (MIC)
1000 key combinations

Item No.:

Box:	# 14.60.210
Master key:	# 14.60.212
Interchangeable key:	# 14.60.213



SISO A/S