

ZAMAK GROMMETS "SOUL"

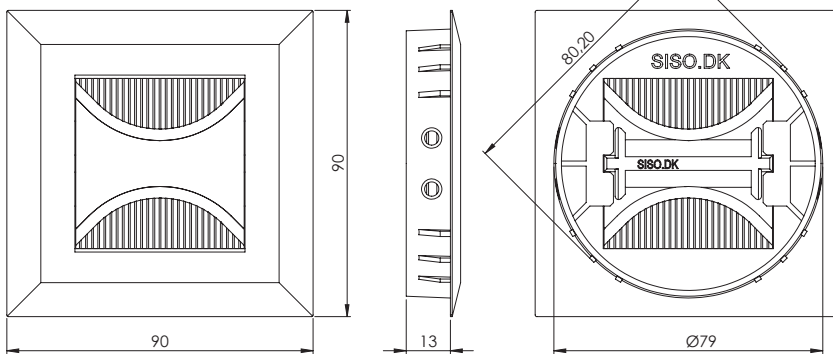
- high quality furniture fittings



ROUND DRILLING FOR SQUARE LOOK !!!!

MODEL "BUTTERFLY"

Material:	Zamak
Top:	90 x 90 mm
Drilling: By CNC	ø 80 x 13 mm
By hand-tool	ø 79 x 13 mm
Chrome plated	# 25.20.460
SS-look	# 25.20.461
Alu look	# 25.20.462
Packing:	100 pcs per export carton



DESIGN REGISTERED IN
EU & USA

MODEL "RECTANGULAR"

Material:	Zamak
Top:	90 x 90 mm
Drilling: By CNC	ø 80 x 13 mm
By hand-tool	ø 79 x 13 mm
Chrome plated	# 25.20.465
SS-look	# 25.20.466
Alu look	# 25.20.467
Packing:	100 pcs per export carton

